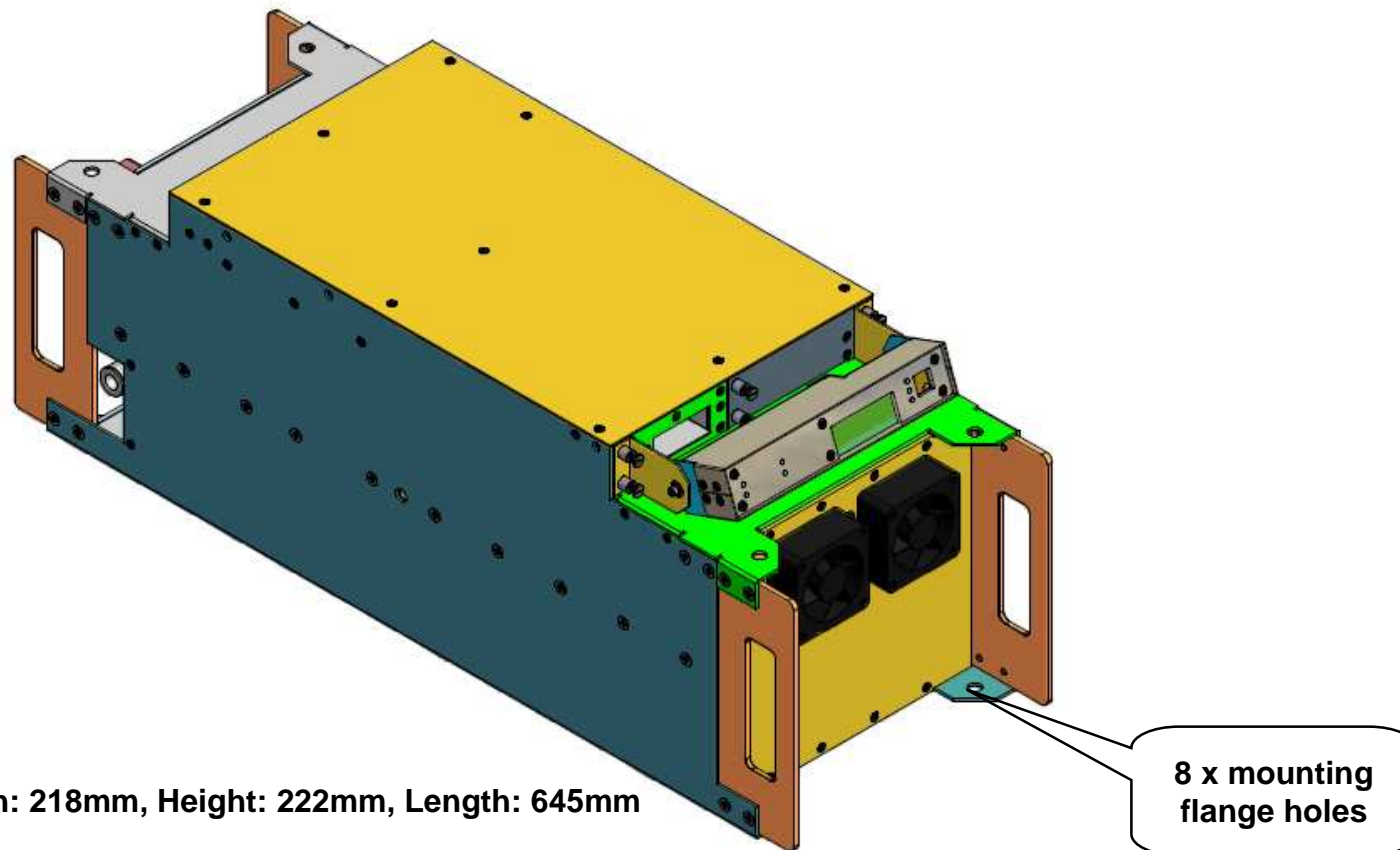


# HX DC Power Supply



## HX-Series vs GSW-Series

	HX-Series	GSW-Series
Dimensions	Width: 218 mm Height: 222 mm Length: 645 mm	Width: 445 mm Height: 133 mm Length: 700 mm
Weight	32 – 41 kg	42 – 53 kg
DC Output Power	15 – 30 kW	10 – 30 kW

- Advantage:
- HX-Series is full compatible and replaceable to GSW-Series
  - mature ADL technology in compact housing
  - direct mounting at the plasma chamber (short DC cables)

## HX-Series Enhancements

### 1. Compact Housing

- flange housing for direct surface mounting
- compact dimensions (approx. 5 HE, ½ 19" width)
- holder for lifting brackets (no installation hood required)

### 2. Integrated Particle Interceptor

- for production areas with high particle exposure (no air baffle required)
- the system is maintenance-free and no filter pads required

### 3. Water Connections

- SMC connectors as standard
- the connectors are rotatable by 90° for rear- or side guide of the water hose
- Swagelok QC-connectors are optional

### 4. Magnetic Valve Control

- imbedded as standard to avoid condensation
- the 24V magnetic valve can be ordered separately for on-site retrofit

## HX-Series Enhancements (cont'd)

### 5. Additional Analog Interface (C2)

- actual values (0...10V) of voltage, current and power, pluggable with jumpers
- switchable mode to setpoint (0...10V) P/U or P/I
- fast synchronization (power on/off) of multiple power supplies, regardless of the interface, e. g. 'slow' Profibus
- optionally the power supplies can be fitted up with "ARC link"

### 6. Removable Display Module (optional)

- 3½ digit display, switchable to voltage, current and power
- the display can be vertically swiveled and / or rotated by 180°
- the module can be separated from the power supply (4 knurled screws)
- 9-pole Sub-D connection cable up to 5m length for remote position